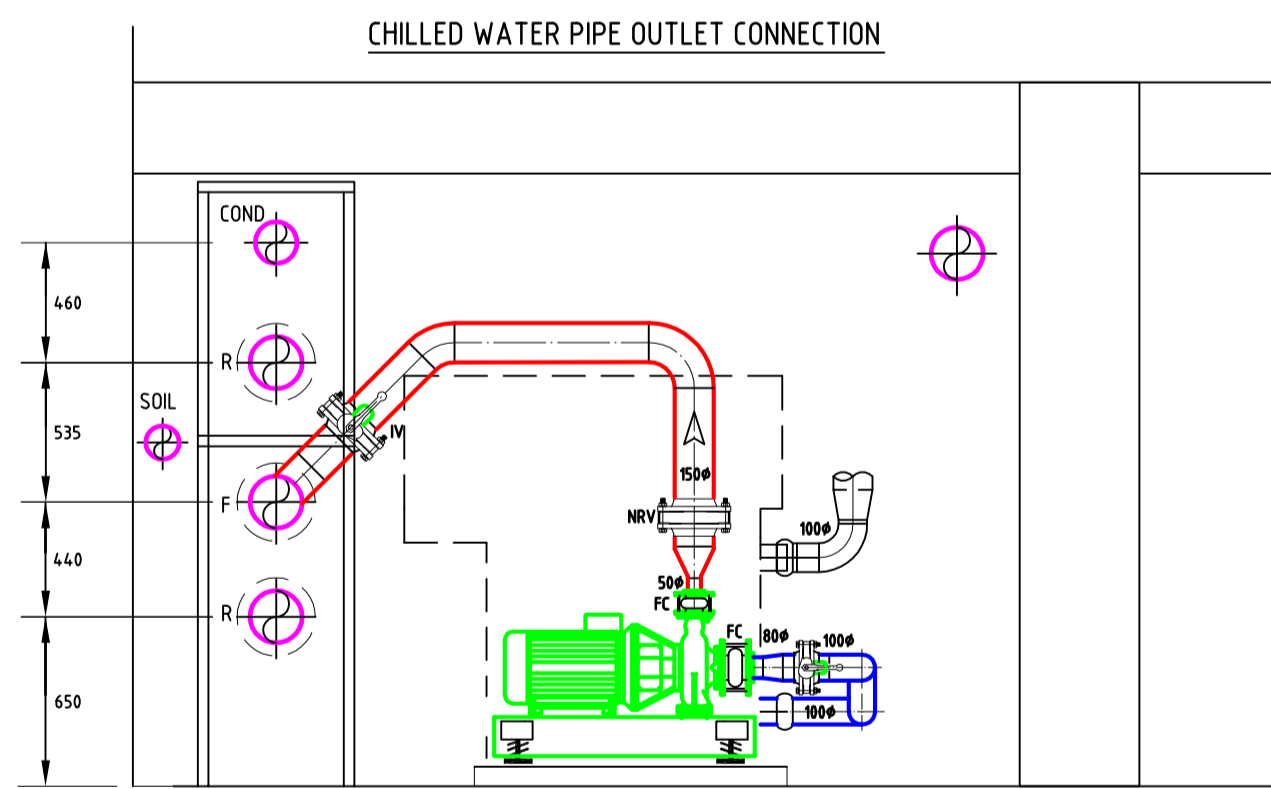
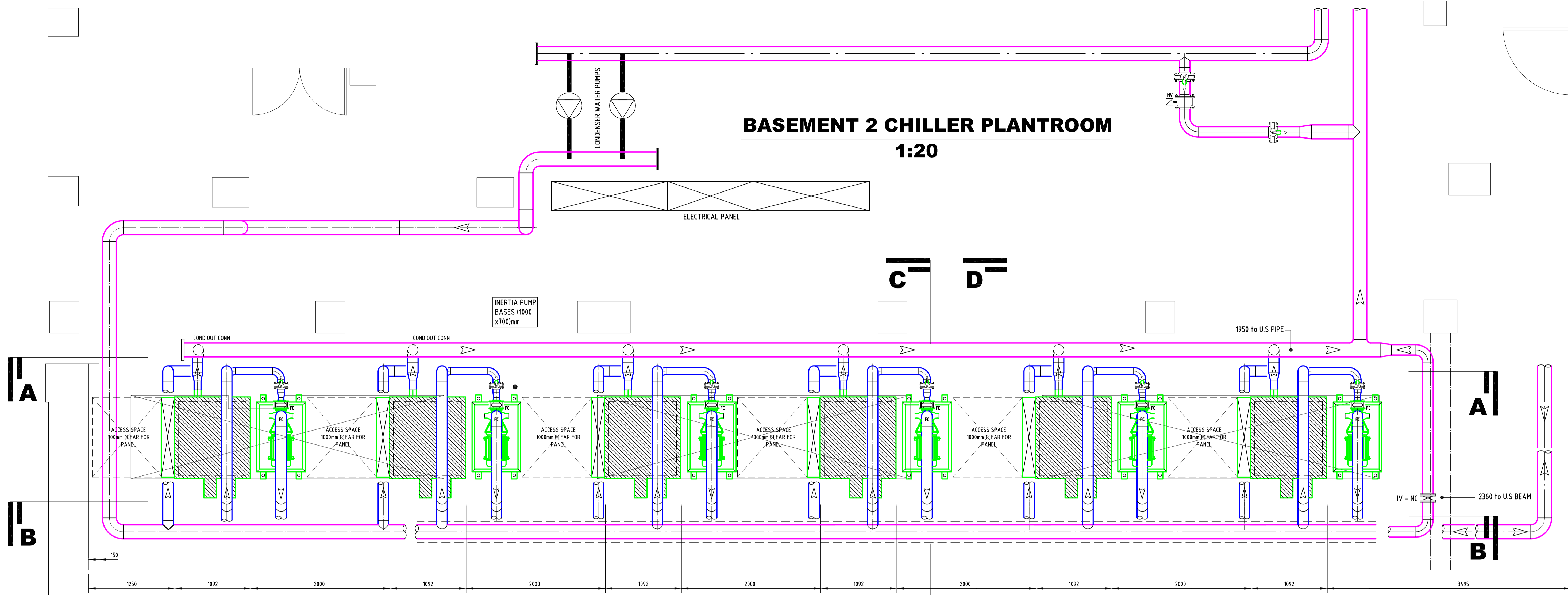


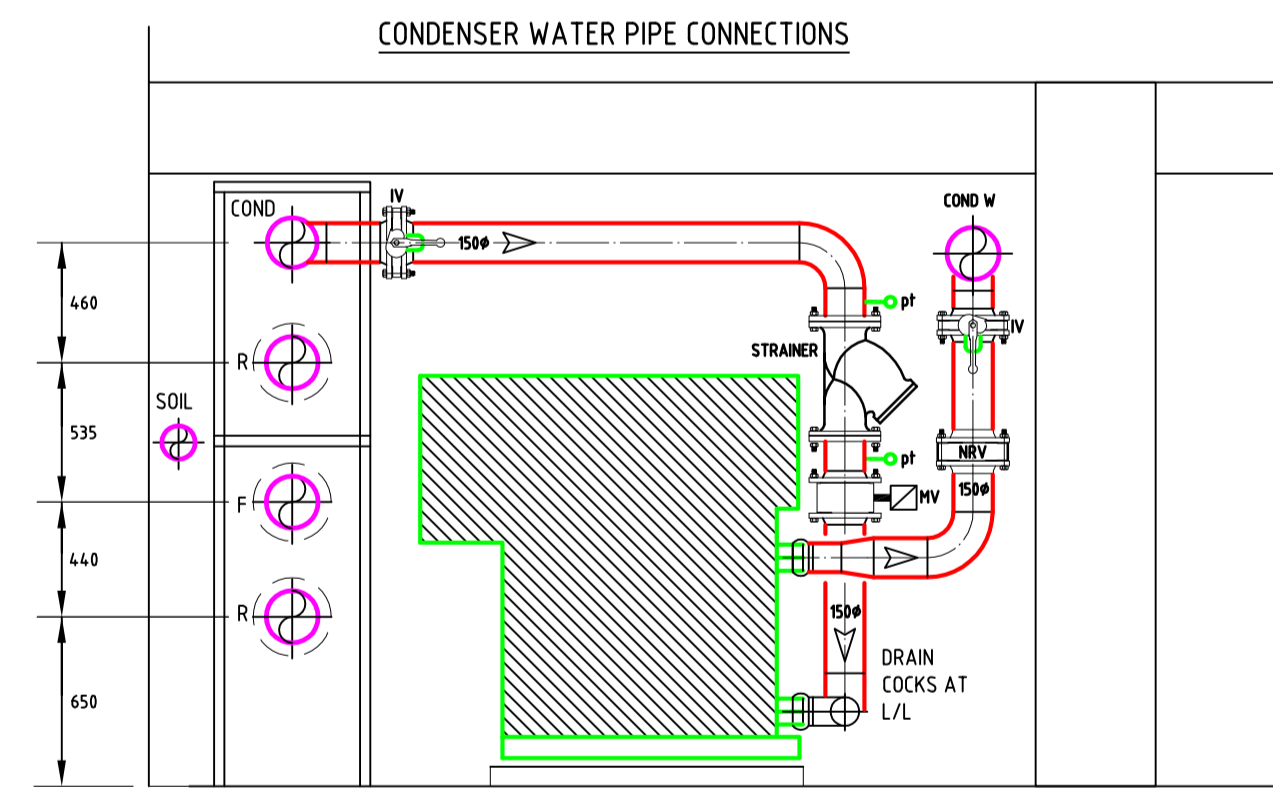
BASEMENT 2 CHILLER PLANTROOM

1:20



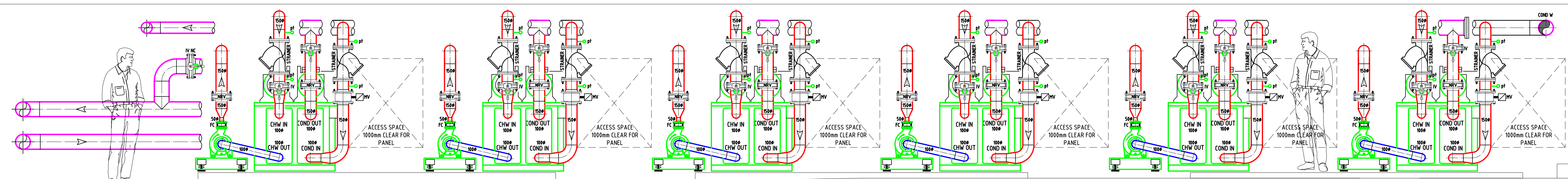
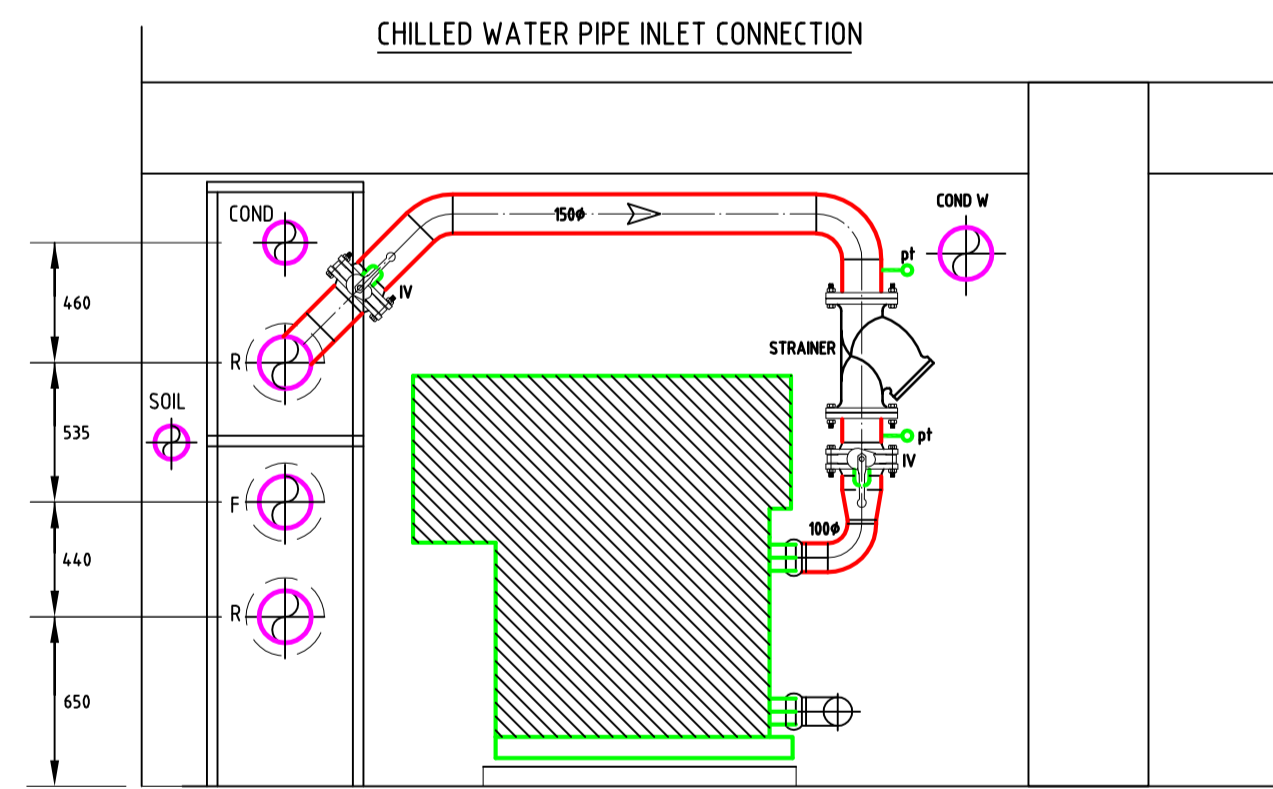
SECTIONAL VIEW C-C

1:20



SECTIONAL VIEWS D-D

1:20



ELEVATIONAL VIEW A-A

1:20

C	CONTRACT ISSUE	-
T	TENDER ISSUE	-
Rev	Description	Date
client LAND SECURITIES		
project manager CS2 Ltd		
project DEVONSHIRE HOSUE, LONDON W1		
 MK Consulting Engineers Ltd Building Services Engineering Design & Draughting Tel: 07702 364 607 Email: mkcad99@aol.com		
Drawing Title MECHANICAL SERVICES BASEMENT CHILLER PLANT LAYOUT		
Scale	1:20 @ A0	Drawn AK
Date	-	Checked AK
Drawing Number	MK/701/SAMPLE	Revision C
Drawing Status	CONTRACT ISSUE	